



- High efficiency
- Easy to install and service
- Made with Weil-McLain quality

HIGH EFFICIENCY  
CAST IRON BOILER

**CGi**<sup>TM</sup>

**GOLD SERIES GAS BOILERS**



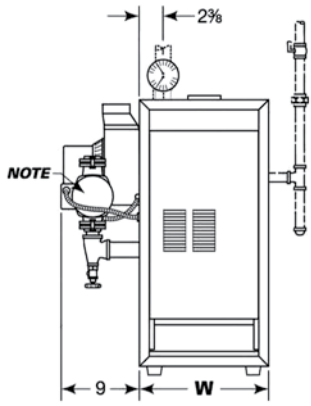
Inducer cover on sizes 25-5 only

**APPLICATIONS  
INCLUDE:**

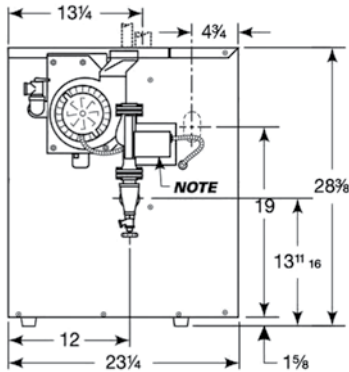
Residential  
Light Commercial  
Multiple Boilers  
Indirect-fired Water Heating  
Radiant Heating  
...And Much More



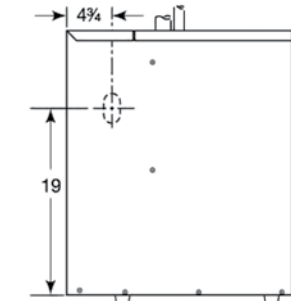
## DIMENSIONS



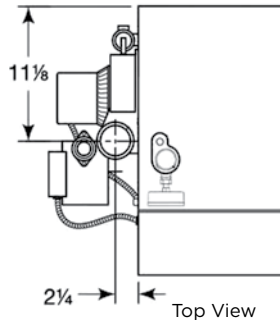
Front



Left Side



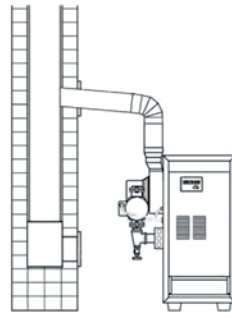
Right Side



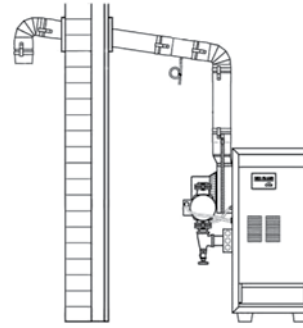
Top View

Note: Boiler circulator is shipped loose. Circulator may be mounted on either boiler supply or return piping. See dimension chart for pipe size of circulator flange provided.

## VENTING OPTIONS



Natural Draft Venting



Direct Exhaust Venting

## STANDARD EQUIPMENT:

- Factory Tested
- Two-Piece, Top Jacket Panel
- Insulated Extended Steel Jacket
- Cast Iron Sections with Built-in Air Separator
- Radiation Plates
- Steel Base
- Integrated Boiler Control Module with Intermittent Electronic Ignition System & Indicator/Diagnostic Lights
- Inducer Assembly (with cover— sizes 25–5)
- Flue Gas Collector/ Transition Assembly
- Combination Gas Valve for 24 Volt
- Wiring Harness
- Air Pressure Switch
- Non-Linting Pilot Burner
- High-Grade Stainless Steel Burners
- 40VA Transformer
- Electrical Junction Box
- Rollout Thermal Fuse Element
- High-Limit Temperature Control
- Circulator (when ordered)
  - Sizes 25–5: Taco 007e
  - Sizes 6–8: Taco 007
- 30 PSI ASME Relief Valve (boiler sections tested for 50 PSI working pressure)
- Combination Pressure-Temperature Gauge
- Drain Valve

Model	Dimensions inches W	Supply Piping in. (1)	Return Piping in. (1)	Nat or LP Gas Connection Size inches
CGi-25	10	3/4	3/4	1/2
CGi-3	10	1	1	1/2
CGi-4	13	1	1	1/2
CGi-5	16	1	1	1/2
CGi-6	19	1 1/4	1 1/4	1/2
CGi-7	22	1 1/4	1 1/4	3/4
CGi-8	25	1 1/2	1 1/2	3/4

Notes: (1) Circulator flange supplied with boiler is the same size as recommended pipe size. For supply and return boiler tapping size, see installation manual.

## RATINGS

Model (1)	CSA Input MBH (2)	DOE Heating Capacity MBH (2)	Net AHRI Water Ratings MBH (3)	DOE Seasonal Efficiency Percent (AFUE)	Approx. Shipping Weight (Lbs)	Boiler Water Content (Gal.)	Minimum Vent Connector Diameter (4)
CGi-25	50	42	37	84.0	200	1.5	4" I.D.
CGi-3	60	51	45	85.1	200	1.5	4" I.D.
CGi-4	90	76	66	85.0	245	2.1	5" I.D.
CGi-5	119	100	87	83.3	290	2.7	5" I.D.
CGi-6	167	140	122	83.3	335	3.3	5" I.D.
CGi-7	200	167	145	83.0	390	3.8	5" I.D.
CGi-8	233	194	169	82.7	420	4.4	5" I.D.

- Notes:
- (1) Add "PIN" for natural gas, "PIL" for propane.
  - (2) Based on standard test procedures prescribed by the United States Department of Energy.
  - (3) Net AHRI ratings are based on net installed radiation of sufficient quantity for the requirements of the building and nothing needs to be added for normal piping and pick-up. Ratings are based on a piping and pick-up allowance of 115. An additional allowance should be made for unusual piping and pick-up loads.
  - (4) Refer to National Fuel Gas Code, ANSI Z223.1-latest edition for chimney sizing and vent connector lengths.

CGi boilers are C.S.A. design certified for installation on combustible flooring. Tested for 50 psi working pressure.

In the interest of continual improvements in product and performance, Weil-McLain reserves the right to change specifications without notice.



## ADDITIONAL EQUIPMENT:

- CGi AL29-4C® Starter
- Outdoor Reset Kit (part #381-356-586) Low cost, simple plug-in sensor— check local utility program for possible rebate.
- Zone Interface Harness Kit (part #381-356-585) Used to communicate between an existing relay panel wired into the system and boiler, to separate DHW from space heating demands.
- Expansion Tank Package (expansion tank, fill & check valve, auto air vent and fittings): #109-sizes 3 thru 5; #110-sizes 6 thru 8. Shipped in separate carton.
- High Altitude Kits
- W-M 5 & 10 Year Homeowner Protection Plan